

DESCRIPTION

The FABA™ A12 system is a fall arrest system and part of Personal Protective Equipment (PPE) European Directive (EU 2016/425). The system is certified according to the standard EN 353-1:2018. The FABA™ A12 system is certified for a user weight (including user weight and their equipment) up to 150kg.

The main components of the FABA™ A12 system are described in this technical sheet. Additional technical sheets are available for specific component. Please ask your Tractel® representative for more information.

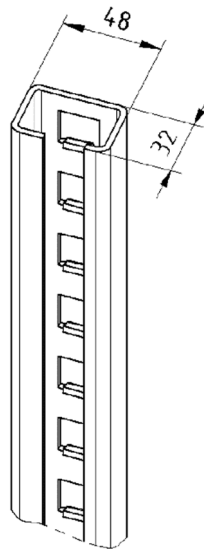
The FABA™ A12 system is composed of vertical fall arrest rail (available as rail or ladder) and a slider. All FABA™ sliders are equipped with shock absorber to limit the force applied to user, in the event of fall, to a maximum of 600daN. A wide range of components are available for the FABA™ A12 system in particular (but not limited): permanent or detachable catch, entry section, exit solution and a wide range of brackets.

TECHNICAL CHARACTERISTICS

Rail

The FABA™ A12 rail is available in 20 different standard lengths in both hot-dip galvanised steel (EN ISO 1461 – tZno) or stainless steel (1.4571).

The rail is a C-shape profile with catching windows to stop the fall. The slider glides inside the C-shape profile.

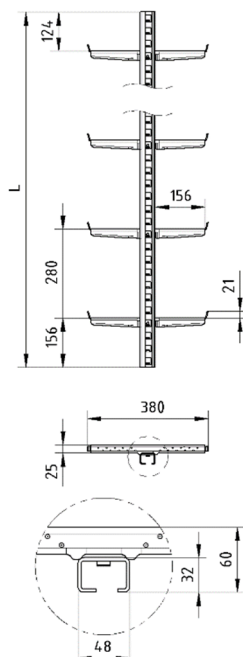


Article number		Rail length [m]	Weight [kg]
Hot-dip galvanized	Stainless steel		
502845	502905	0.56	1.80
500038	502915	0.84	2.70
502855	502925	1.12	3.60
502865	502935	1.40	4.50
502875	502945	1.68	5.40
500048	502955	1.96	6.30
502885	502965	2.24	7.20
500058	502975	2.52	8.10
502895	502985	2.80	9.00
500068	502995	3.08	9.90
500078	503005	3.36	10.80
500088	503015	3.64	11.70
500098	503025	3.92	12.60
500108	503035	4.20	13.50
500118	503045	4.48	14.40
500128	503055	4.76	15.30
500138	503065	5.04	16.20
500148	500168	5.32	17.10
500158	503075	5.60	18.00

Ladder

In addition to characteristics of the rail, the FABA™ A12 ladder is conform to the EN 14122-4 specifying the requirements for the manufacturing of ladder.

The FABA™ A12 ladder is available in 20 different standard lengths in both hot-dip galvanised steel (EN ISO 1461 – tZno) or stainless steel (1.4571).

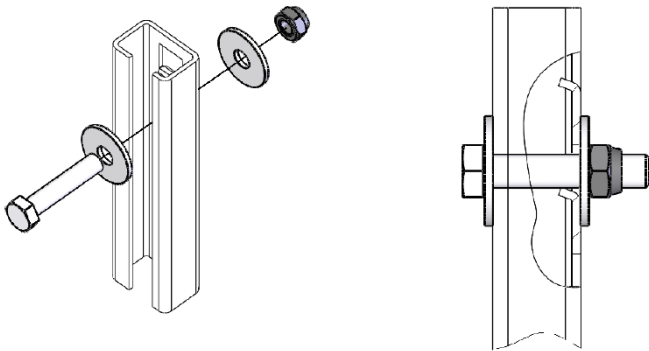


Article number		Ladder length [m]	Weight [kg]
Hot-dip galvanized	Stainless steel		
501237	501247	0.56	2.70
501257	501267	0.84	4.05
501297	501307	1.12	5.40
501317	501327	1.4	6.75
501337	501357	1.68	8.10
501367	501377	1.96	9.45
501387	501397	2.24	10.80
501407	501417	2.52	12.15
501427	501437	2.8	13.50
501447	501457	3.08	14.85
501467	501477	3.36	16.20
501487	501497	3.64	17.55
501507	501517	3.92	18.90
501527	501537	4.2	20.25
501547	501557	4.48	21.60
501567	501577	4.76	22.95
501587	501597	5.04	24.30
501607	501617	5.32	26.10
501627	501637	5.6	27.00

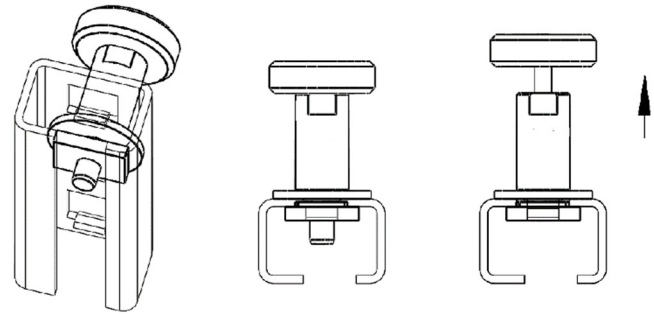
Permanent and detachable catch

Catches are designed for the FABA™ A12 system. They must be installed on every opening of the rail or ladder where the slider could come out to prevent any unwanted disconnection.

Permanent catch



Detachable catch



Permanent catch is usually to be used at the top of a system to prohibit the slider of coming out of the rail and therefore keeping the user connected at the highest point of the system.

Detachable catch is used at any point where the user is allowed to disconnect him/herself from the FABA™ system. Before disconnecting him/herself, the user must always ensure that he/she is safe.

Code	Description	Weight
517185	Detachable catch	0.3 kg

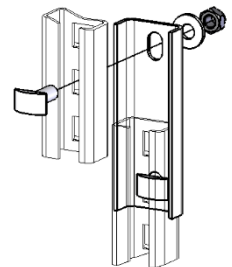
Material: stainless steel 1.4571 / A4

Code	Description	Weight
508067	Permanent catch	0.1 kg

Material: stainless steel A4

Joint connector

Designed for the FABA™ A12 system specifically. It is used to connect 2 ladders or rails together in a vertical position. It is supply with 2 screw set M12 x 35 (508107) It is available in stainless steel or galvanized steel depending the material of the ladder/rail.



Article number	Description	Material	Weight [kg]
508117	Connector for construction with screw set	Hot-galv. steel/A4	0.5
508137		1.4571 / A4	

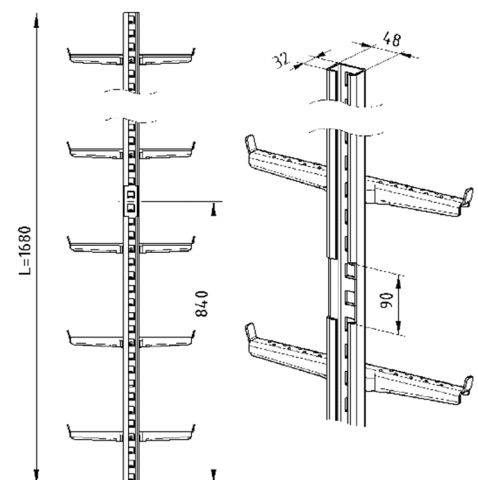
Entry section: ladder with release facility

The climbing protection ladder with release facility enables the comfortable insertion and extraction of the FABA™ carriage at the lower end of the ladder.

A detachable catch must always be installed above the opening to prevent unwanted release of the slider.

The ladder with release facility is available in hot-dip galvanized or stainless steel and is available with a standard length of 1.68m.

Article number		Ladder length [m]	Weight [kg]
Hot-dip galvanized	Stainless steel		
501288	501298	1.68	8.1

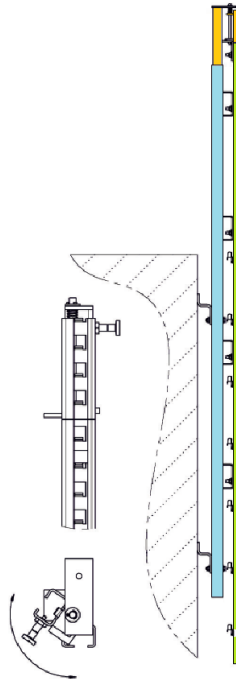


Step over

Two different exit solutions are existing. They are designed to bring the user in a more comfortable and safe position before disconnecting him/herself for the ladder or rail. Before disconnecting, the user must always ensure that he/she is safe. Please refer to the dedicated technical sheet TS 2652 for additional information on these accessories.

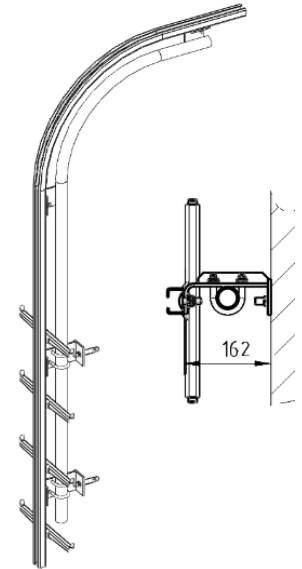
Straight step-over

For climbing protection rail used as straight stepover, when no support bracket can be fitted on the upper end. The pivotable entry and exit allows comfortable insertion and removal of the carriage at that end of a climbing facility, at which point safe release from the climbing protection has to be ensured.



Curve step-over

Step-over onto a platform on the top end of a fixed ladder, (e.g. step-over onto a roof).

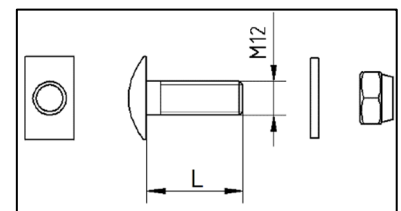


Screw set FABA A12

For the installation of the FABA™ A12 system ladder or rail on brackets, or to install FABA™ A12 accessories on the FABA™ A12 ladder or rail.

The T-head bolts are special designs with customized head for the FABA™ A12 system. Do not use standard bolts.

Article number	Description	L [mm]	Material	Weight [kg]
508107	T-head bolt M12x35 Spring washer Ø12 Hexagonal nut M12	35	A4	0.08
516137	T-head bolt M12x50 Spring washer Ø12 Hexagonal nut M12	50	A4	0.09
516147	T-head bolt M12x65 Spring washer Ø12 Hexagonal nut M12	65	A4	0.11



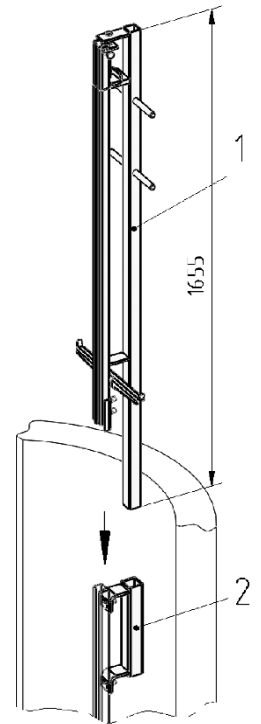
Portable entry aid

Specially designed for confined spaces or covered climbing facilities with the system FABA™ A12.

In order to enter a confined space while maintaining an ergonomic, upright body posture, the entry aid is placed on the existing A12 system and removed after the work has been completed. The user is therefore able to secure him/herself while still standing beside the opening to the confined space.

The portable entry aid is only existing in stainless steel material.

Item	Article number	Name	Material	Weight [kg]
1	507155	Portable entry aid	1.4571 / A4	12
2	507175	Coupling	1.4571 / A4	1.9



Sliders

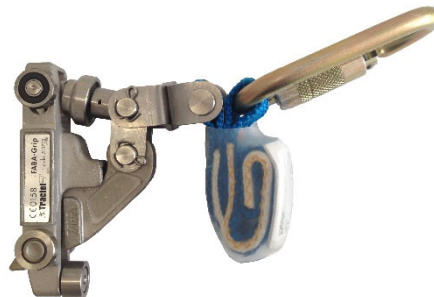
The FABA™ A12 system is certified with three complementary sliders designed for different applications and offering different advantages.

FABA™ AL-D



Technical sheet:
T2308 TS FABA™ AL-D 150kg_EN

FABA™ Grip



Technical sheet:
T2306 TS FABA™ Grip 150kg_EN

FABA™ EZ



Technical sheet:
T2302 TS FABA™ EZ 150kg_EN

All sliders are certified for a user weight (including user weight and his/her equipment) up to 150kg according to the latest applicable standard EN 353-1:2018 conform to the PPE European Direction EU 2016/425.

Please refer to the respective technical sheet of each slider for additional information.